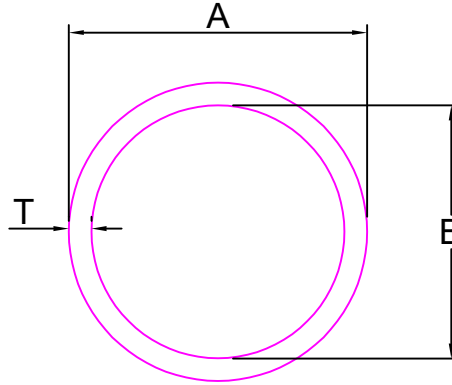




ROUND TUBE

PLAIN ROUND TUBE



SEC. NO.	A	B	T	WT. kg./mtr	Weight KG/12'
1451	12.00	11.30	0.700	0.054	0.200-0.400
1452	18.80	16.66	1.070	0.150	0.550-0.850
1453	51.50	18.00	16.75	4.935	18.05-18.15
1454	60.00	18.00	21.00	6.946	25.40-25.50
1455	75.00	18.00	28.50	11.24	40.00-42.00
1456	25.20	22.90	1.150	0.234	0.850-0.920
1457	25.00	24.00	0.500	0.095	0.350-0.450
1458	51.50	24.00	13.75	4.402	16.10-16.20
1459	57.50	24.00	16.75	5.789	21.15-21.25
1460	60.00	24.00	18.00	6.412	23.45-23.55
1461	64.00	24.00	20.00	7.464	27.00-29.00
1462	65.00	24.00	20.50	7.737	28.30-28.50
1463	75.00	24.00	25.50	10.71	39.20-39.50
1464	29.50	28.40	0.900	0.191	0.700-1.000
1465	30.00	28.00	1.000	0.246	0.900-1.000
1466	32.00	28.00	2.000	0.500	1.860-1.960
1467	36.00	32.20	1.900	0.549	2.000-2.100
1468	37.80	34.50	1.650	0.505	1.850-2.000
1469	38.00	34.30	1.850	0.610	2.200-2.400
1470	40.00	35.00	2.500	0.795	2.900-3.000
1471	42.00	37.50	1.750	0.988	3.600-3.700
1472	42.00	38.00	2.000	0.678	2.450-2.600
1473	52.00	39.00	6.500	2.508	9.150-9.250
1474	49.10	44.10	2.500	0.988	3.600-3.700
1475	50.00	44.10	2.950	1.117	4.300-4.400
1476	50.00	46.00	2.000	0.814	2.950-3.100
1477	60.00	57.00	1.500	0.744	2.700-2.850
1478	74.00	64.00	5.000	2.926	10.70-10.80
1479	72.00	69.00	1.500	0.896	3.250-3.400
1480	73.00	69.00	2.000	1.204	4.400-4.500
1481	77.00	69.00	4.000	12.746	9.050-9.500
1482	81.30	73.30	4.000	2.622	9.600-12.00
1483	80.00	75.00	2.500	1.643	6.000-6.400
1484	88.00	80.00	4.000	2.850	10.400-11.20
1485	93.50	88.00	2.750	2.666	7.750-9.850

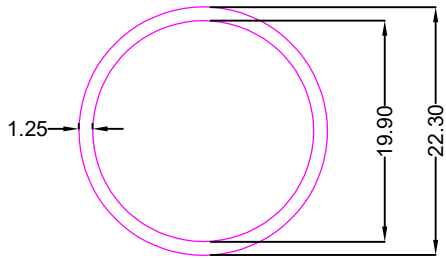
SEC. NO.	A	B	T	WT. kg./mtr	Weight KG/12'
1486	1.106	88.95	6.33	5.054	18.50-19.00
1487	100.0	93.50	3.250	2.116	9.750-9.850
1488	13.00	10.50	1.250	0.104	0.350-0.450
1489	18.00	11.00	3.500	0.389	1.200-1.400
1490	19.00	16.50	1.250	0.209	0.650-0.750
1491	20.00	10.00	5.000	1.305	4.300-4.400
1492	25.00	9.00	8.000	1.274	4.200-4.300
1493	25.0	10.00	7.500	1.229	4.000-4.200
1494	25.0	23.00	1.000	0.239	0.700-0.850
1495	28.00	22.00	3.000	0.704	2.300-2.400
1496	30.00	16.00	7.000	1.514	5.000-5.100
1497	30.00	34.00	1.400	0.523	1.900-2.100
1498	32.00	26.00	3.000	0.824	2.700-2.800
1499	35.00	14.00	9.500	2.054	6.800-6.900
1500	35.00	25.00	5.000	1.379	4.500-4.700
1501	35.00	38.00	1.500	0.524	1.700-1.800
1502	37.50	34.00	1.750	0.434	1.400-1.500
1503	37.00	42.00	2.500	0.824	2.700-2.800
1504	38.0	34.0	2.000	0.675	2.200-2.300
1505	38.00	42.00	2.000	0.765	2.500-2.600
1506	38.00	22.80	8.000	2.054	6.800-6.900
1507	50.0	46.00	2.000	0.884	2.900-3.000
1508	50.00	47.00	1.500	0.644	2.100-2.200
1509	50.00	45.00	2.500	1.350	4.500-4.700
1510	52.00	25.00	13.500	4.649	15.50-15.60
1511	55.0	50.00	2.500	1.260	4.100-4.300
1512	60.0	57.00	1.500	0.827	2.700-2.800
1513	63.00	50.00	6.500	3.510	11.60-11.80
1514	64.00	56.00	4.000	3.584	11.90-12.00
1515	70.00	64.00	3.000	1.874	6.200-6.300
1516	77.0	65.00	6.000	4.019	13.30-13.50
1517	77.0	30.00	6.500	5.054	16.80-16.90
7324	22.3	19.90	1.25	0.224	0.820
7541	50.0	46.00	2.00	0.814	2.980



ROUND TUBE

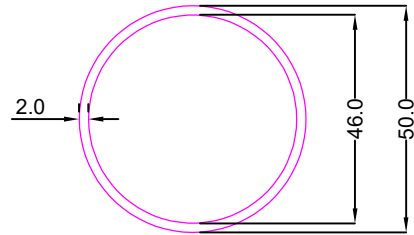
SEC No.7324

Weight :-0.820kg/12'



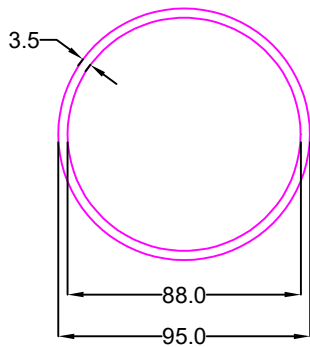
SEC No.7541

Weight :-2.980kg/12'



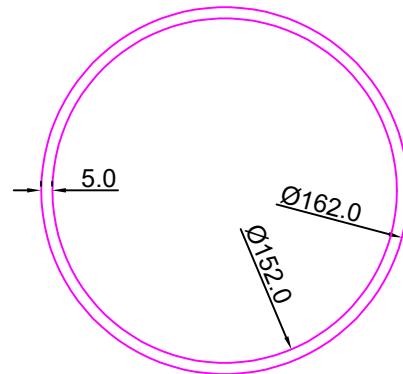
SEC No. 7630

Weight:-9.940Kg/12'



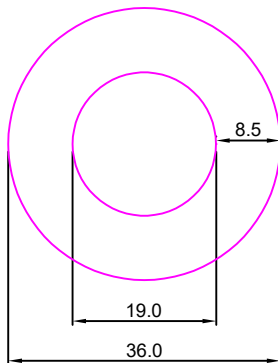
SEC No. 7705

Weight:-24.350Kg/12'



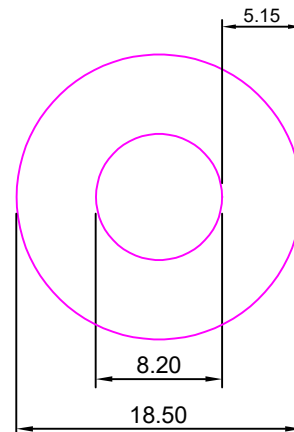
SEC No. 7854

Weight:-7.250Kg/12'



SEC No. VA7998

Weight:-2.130Kg/12'

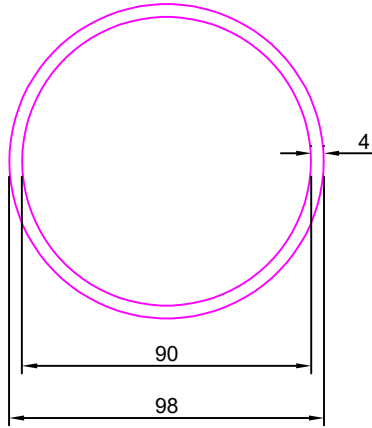




ROUND TUBE

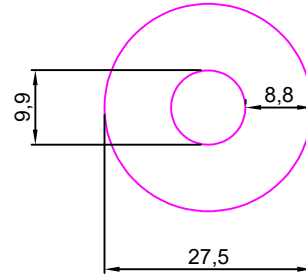
SEC No. MA8076

Weight:-11.670Kg/12'



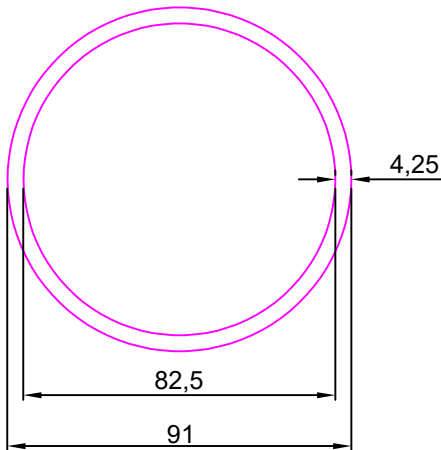
SEC No. :-VA8281

Weight:-5.100Kg/12'



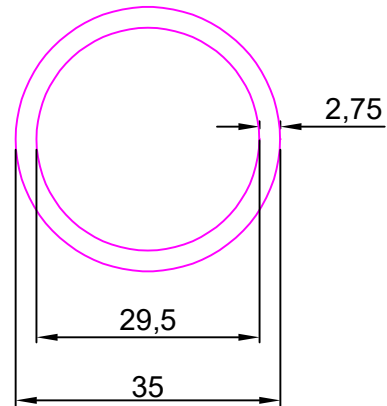
SEC No. :-MA8285

Weight:-11.445Kg/12'



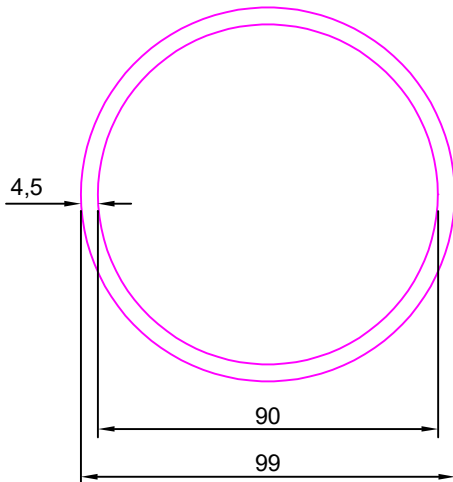
SEC No. 8292

Weight:-2.750Kg/12'



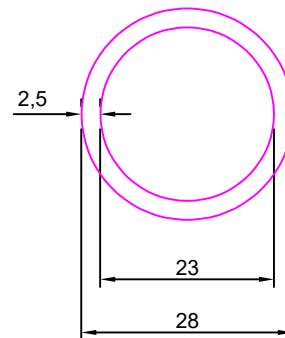
SEC No. 8328

Weight:-13.200Kg/12'



SEC No. 8336

Weight:-1.950Kg/12'

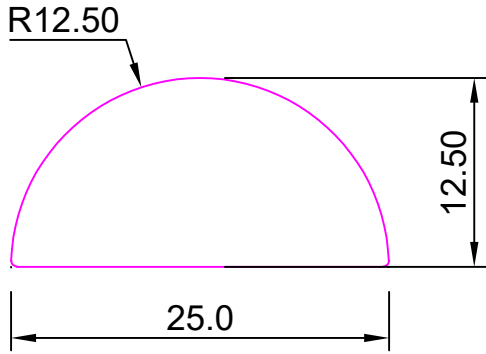




ROUND TUBE / HALF ROUND

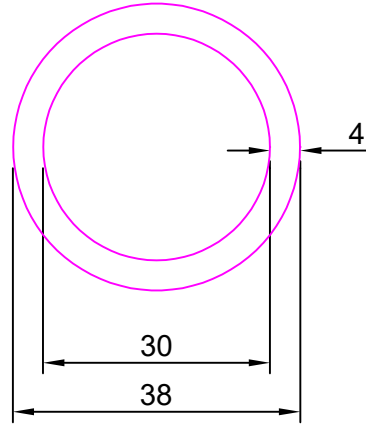
SEC No. 8343

Weight:-2.400Kg/12'



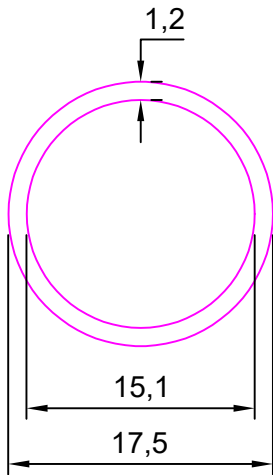
SEC No. VA8508

Weight:-4.200Kg/12'



SEC No. 8621

Weight:-0.600Kg/12'



SEC No.:- 8758

Weight:-0.570Kg/12'

