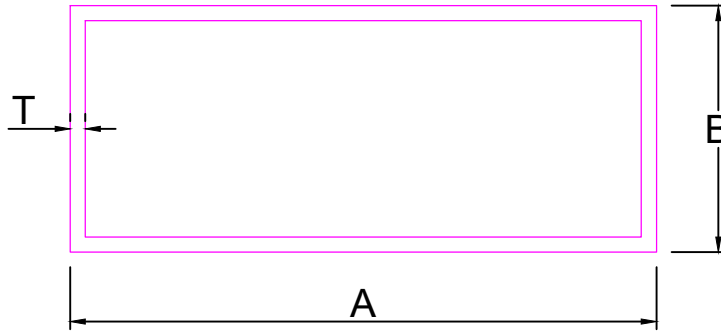






**RECTANGULAR TUBE**



SEC. NO.	A	B	T	Weight KG/12'
1851	19.00	19.00	1.20	0.800-0.900
1852	25.00	12.50	1.20	0.800-0.900
1853	25.00	25.00	0.85	0.700-0.900
1854	36.00	24.00	0.80	0.800-1.000
1855	36.00	24.00	0.95	40.00-42.00
1856	38.00	25.00	1.20	1.400-1.500
1857	38.00	25.00	1.60	1.800-2.000
1858	48.00	24.00	0.80	1.000-1.200
1859	48.00	24.00	0.90	1.200-1.300
1860	50.00	25.00	1.00	1.400-1.500
1861	50.00	25.00	1.20	1.700-1.900
1862	50.00	25.00	1.40	2.000-2.200
1863	50.00	25.00	1.50	2.200-2.400
1864	50.00	25.00	1.75	2.400-2.600
1865	50.00	25.00	2.00	2.800-3.000
1866	50.00	12.00	1.73	2.000-2.100
1867	50.00	19.00	1.45	1.900-2.000
1868	63.00	25.00	0.85	1.400-1.600
1869	50.00	38.00	1.45	2.400-2.500
1870	50.00	38.00	1.70	2.800-3.000
1871	63.00	38.00	0.95	1.800-2.000
1872	63.00	38.00	1.25	2.400-2.600
1873	63.00	38.00	1.50	2.800-3.000
1874	50.80	50.80	1.25	2.400-2.500
1875	50.80	50.80	1.50	2.800-3.000
1876	50.80	50.80	2.00	3.800-4.000
1877	75.00	12.00	1.75	2.900-3.000
1878	75.00	19.00	1.65	2.900-3.000
1879	75.00	25.00	0.95	1.800-2.000
1880	75.00	25.00	1.50	2.800-3.000

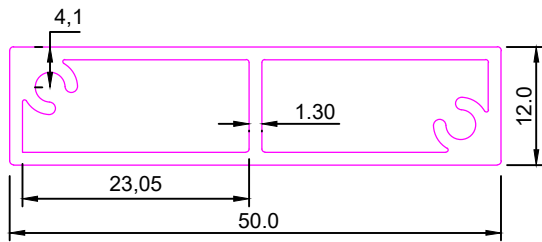
SEC. NO.	A	B	T	Weight KG/12'
1881	75.00	38.00	1.40	3.000-3.200
1882	75.00	38.00	1.50	3.200-3.400
1883	75.00	38.00	1.80	3.800-4.000
1884	75.00	38.00	2.00	4.200-4.500
1885	82.50	38.10	1.35	3.000-3.300
1886	82.50	38.10	1.50	3.500-3.800
1887	82.50	38.10	2.00	4.500-4.800
1888	75.00	50.00	1.50	3.500-3.800
1889	75.00	50.00	1.60	3.800-4.000
1890	75.00	50.00	2.00	4.650-5.000
1891	75.00	75.00	2.00	5.650-6.000
1892	75.00	75.00	3.00	8.500-9.000
1893	100.0	12.00	1.55	3.300-3.400
1894	100.0	19.00	1.55	3.500-3.600
1895	100.0	25.00	0.85	2.000-2.200
1896	100.0	25.00	1.00	2.400-2.600
1897	100.0	25.00	1.60	3.800-4.000
1898	100.0	38.00	1.45	3.800-4.000
1899	100.0	50.00	1.70	4.800-5.000
1900	100.0	75.00	2.00	6.700-7.000
1901	100.0	75.00	3.00	9.900-10.300
1902	100.0	100.00	2.00	7.650-8.050
1903	100.0	100.00	3.00	11.400-11.900
1904	125.00	25.00	1.00	2.800-3.000
1905	125.00	25.00	1.10	3.200-3.500
1906	125.00	38.00	1.55	4.800-5.000
1907	125.00	50.00	2.00	6.650-7.000
1908	150.00	25.00	1.45	4.800-5.000
1909	150.00	50.00	2.00	7.650-8.050



**SPECIAL RECTANGULAR TUBE**

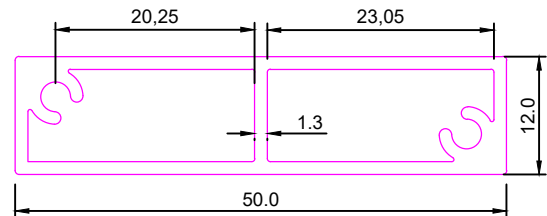
**SEC NO. :-2001**

**Weight :- 1.965kg/12'**



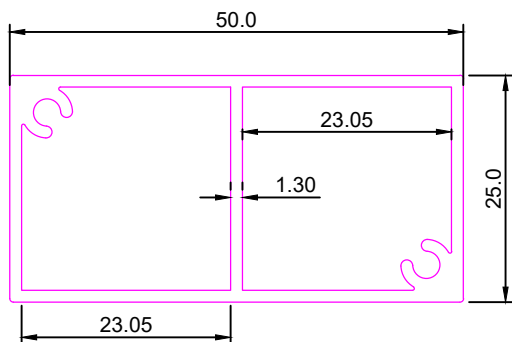
**SEC NO. :-2003**

**Weight :- 2.200kg/12'**



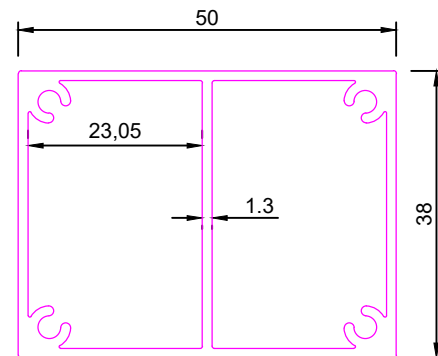
**SEC NO. :-2005**

**Weight :- 2.465kg/12'**



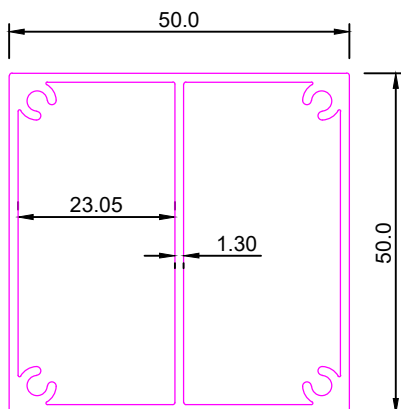
**SEC NO. :-2007**

**Weight :- 3.290kg/12'**



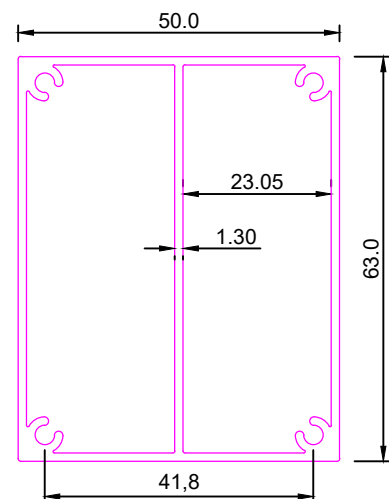
**SEC NO. :-2009**

**Weight :- 3.750kg/12'**



**SEC NO. :-2011**

**Weight :- 4.250kg/12'**

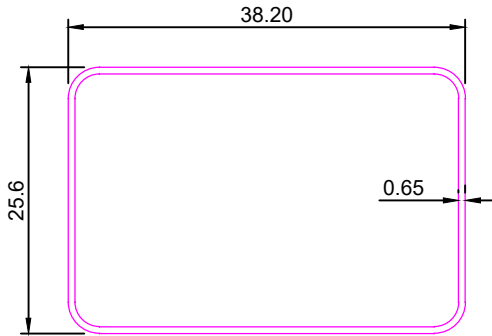




**SPECIAL RECTANGULAR TUBE**

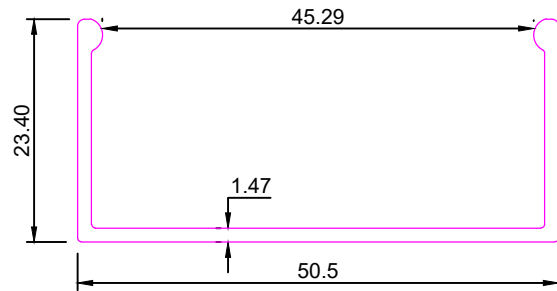
**SEC NO. :-2015**

**Weight :- 0.770kg/12'**



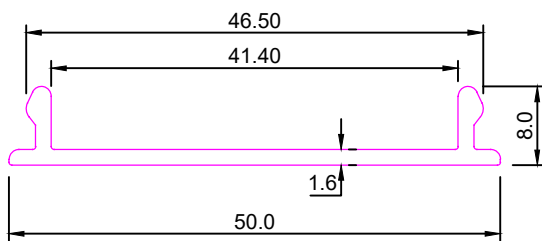
**SEC NO. :-2017**

**Weight :- 1.420kg/12'**



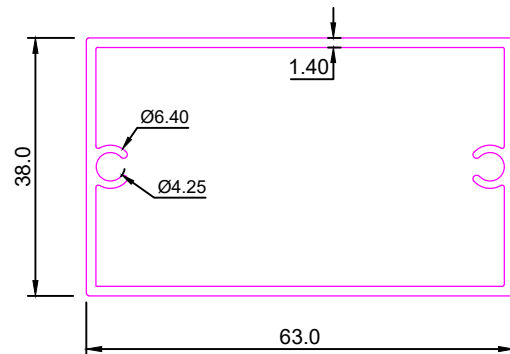
**SEC NO. :-2019**

**Weight :- 1.025kg/12'**



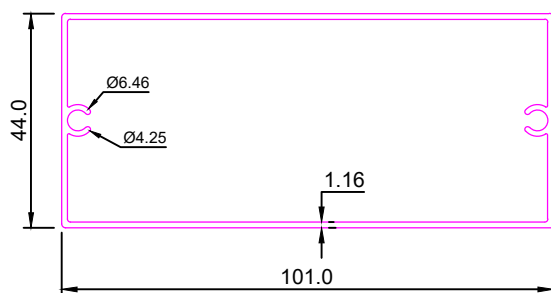
**SEC NO. :-2027**

**Weight :- 2.940kg/12'**



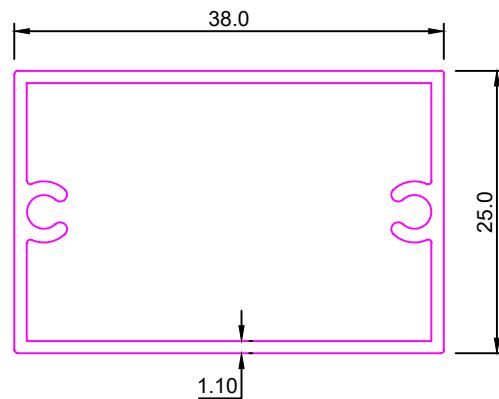
**SEC NO. :-2029**

**Weight :- 3.500kg/12'**



**SEC. NO:- 7664**

**Weight :- 1.500kg/12'**

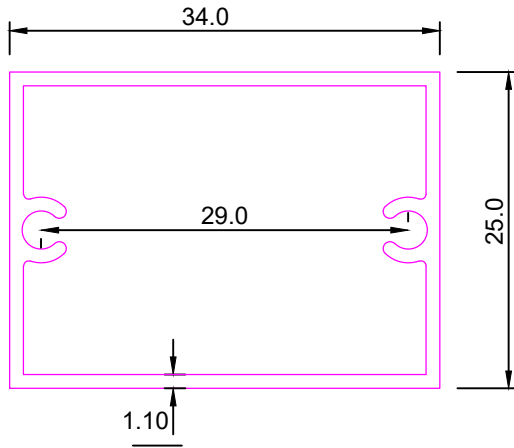




**SPECIAL RECTANGULAR TUBE**

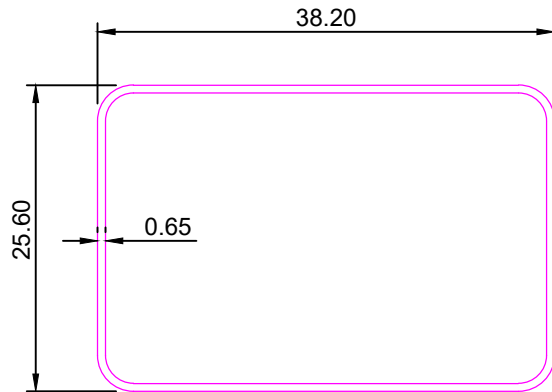
**SEC No. 7257**

**Weight :- 1.400kg/12'**



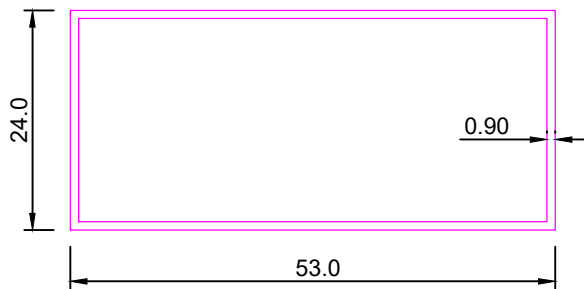
**SEC No. 7319**

**Weight :- 0.750kg/12'**



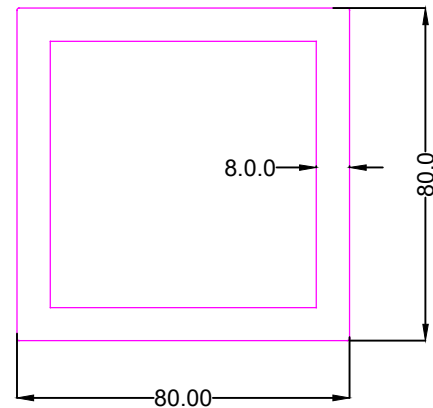
**SEC No. 7326**

**Weight :- 1.350kg/12'**



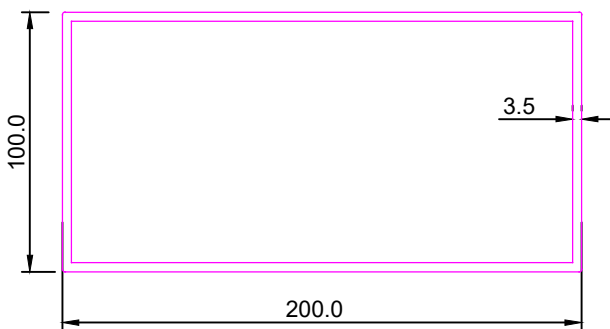
**SEC No. 7454**

**Weight :- 22.765kg/12'**



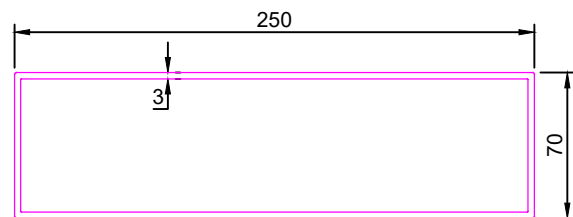
**SEC No. 7462**

**Weight :- 20.250kg/12'**



**SEC No. 7488**

**Weight :- 18.600kg/12'**

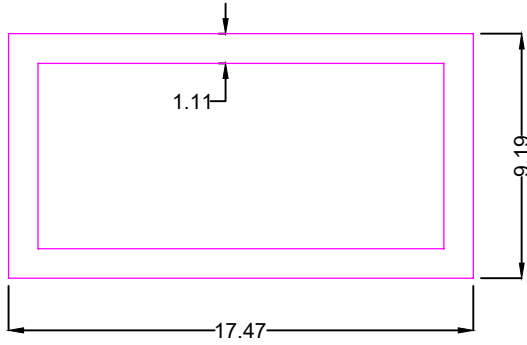




**RECTANGULAR TUBE**

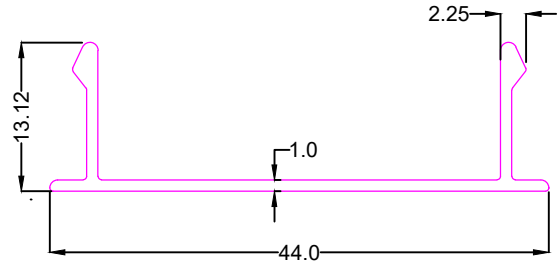
**SEC NO. :-2023**

**Weight :- 0.525kg/12'**



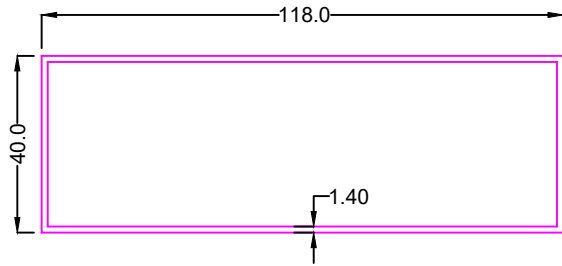
**SEC NO. :-2025**

**Weight :- 0.725kg/12'**



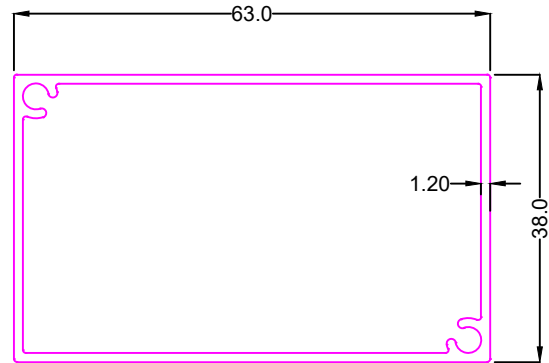
**SEC No. 7616**

**Weight :-4.300kg/12'**



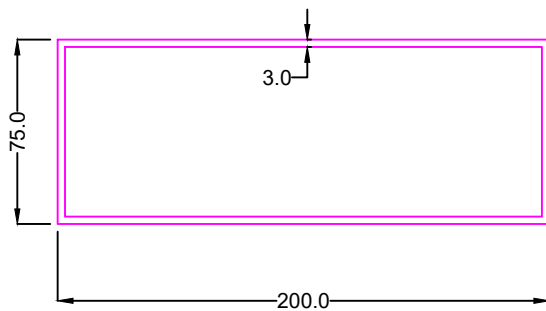
**SEC No. 7629**

**Weight:-2.450Kg/12'**



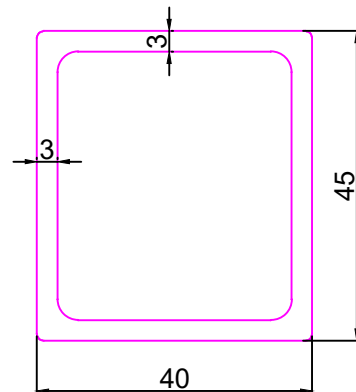
**SEC No. 7634**

**Weight:-15.950Kg/12'**



**SEC No. 7779**

**Weight:-4.750Kg/12'**

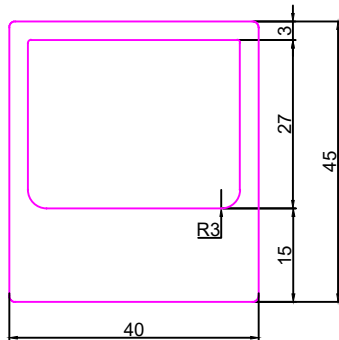




**RECTANGULAR TUBE**

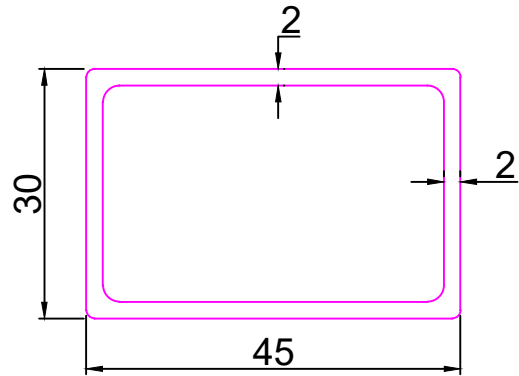
SEC No. 7780

Weight:-8.740Kg/12'



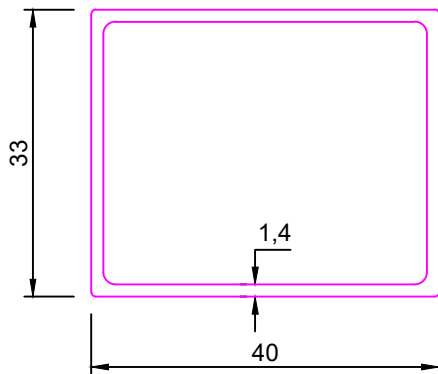
SEC No. 7781

Weight:-2.800Kg/12'



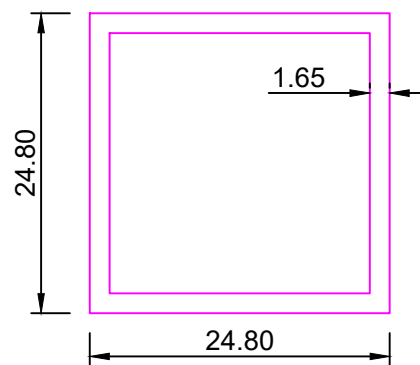
SEC No. 7782

Weight:-1.950Kg/12'



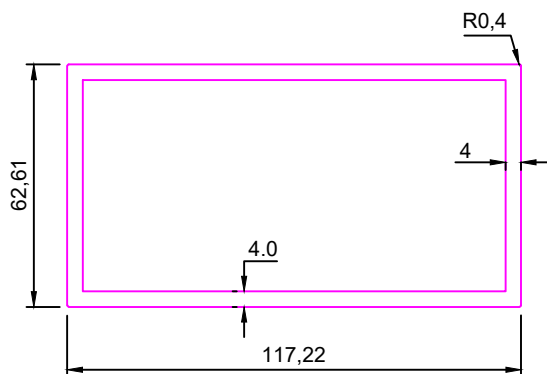
SEC No. 7943

Weight:-1.500Kg/12'



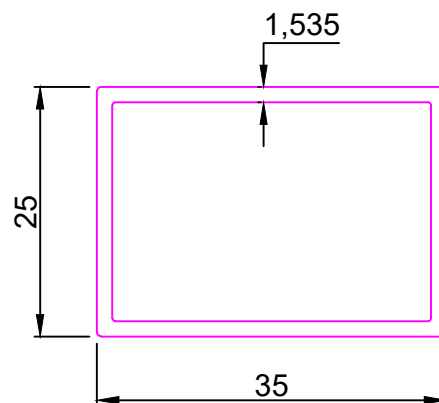
SEC No:- MA7957

Weight:-13.582Kg/12'



SEC No. :-GA8232

Weight:-1.727Kg/12'

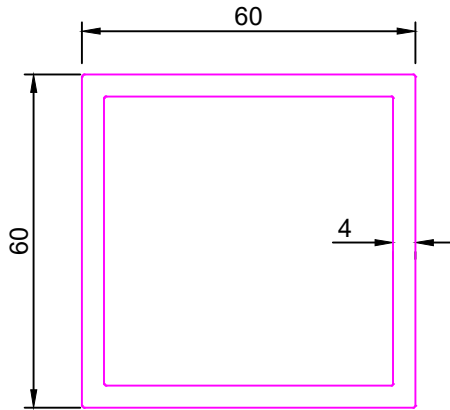




**RECTANGLE TUBE**

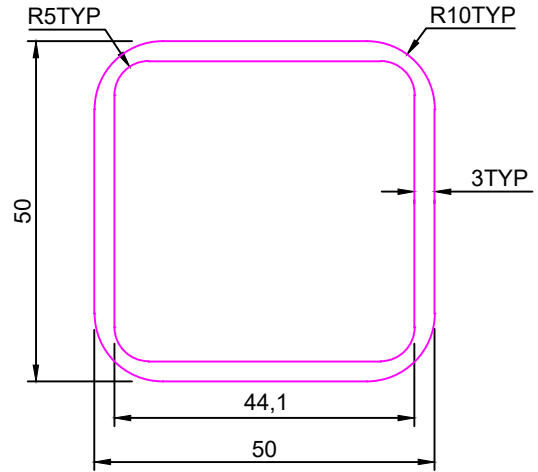
**SEC No. 8303**

**Weight:-8.850Kg/12'**



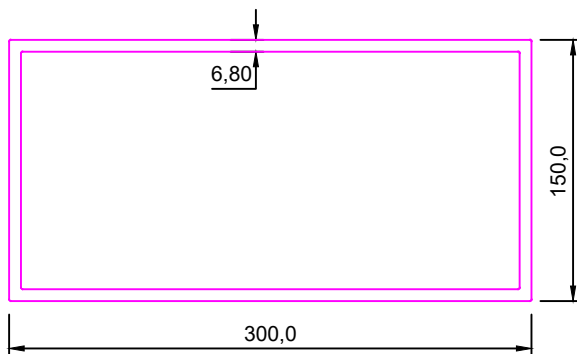
**SEC No. 8325**

**Weight:-2.950Kg/12'**



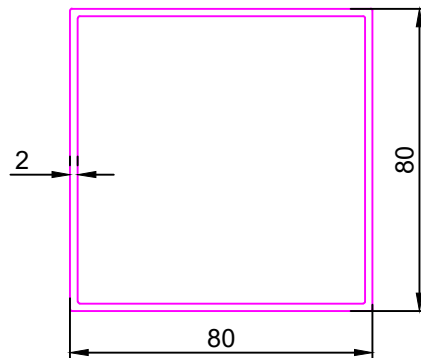
**SEC No. 8381**

**Weight:-58.650Kg/12'**



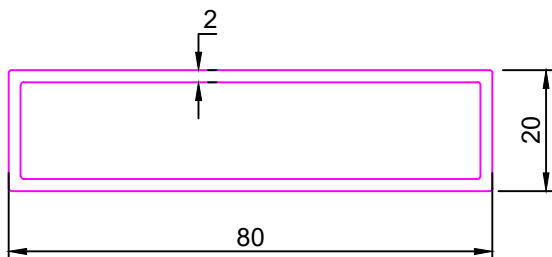
**SEC No. 8565**

**Weight:6.166Kg/12'**



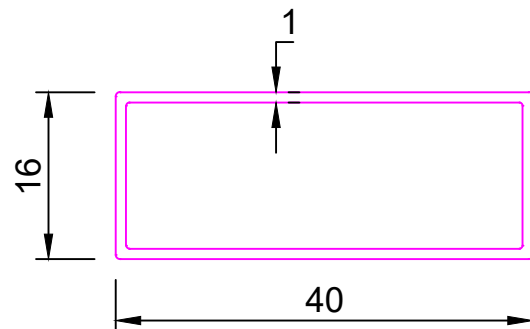
**SEC No. 8566**

**Weight:3.795Kg/12'**



**SEC No. 8619**

**Weight:1.050Kg/12'**

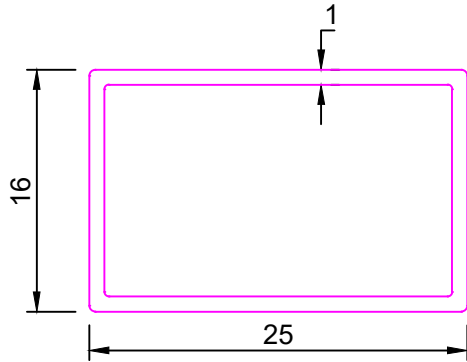




**RECTANGLE TUBE**

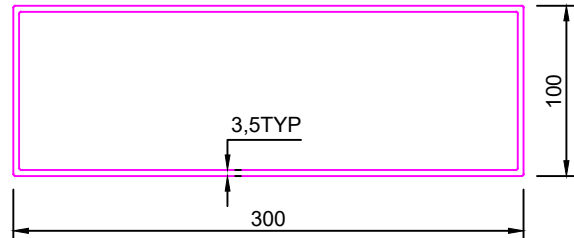
**SEC No. 8620**

**Weight:0.770Kg/12'**



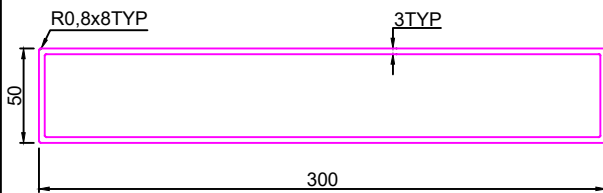
**SEC No. 8662**

**Weight:27.185Kg/12'**



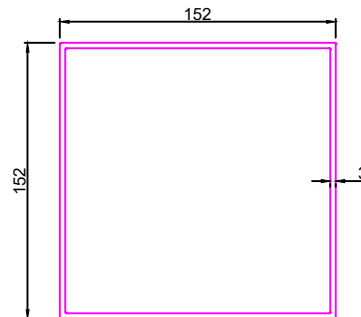
**SEC No. VA8727**

**Weight:-20.400Kg/12'**



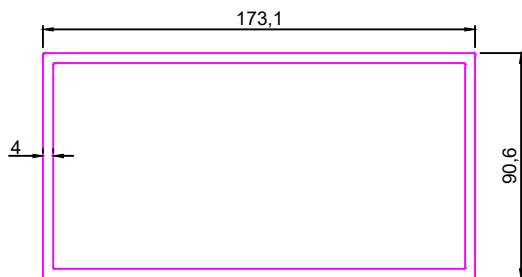
**SEC No.:- 8772**

**Weight:-17.670Kg/12'**



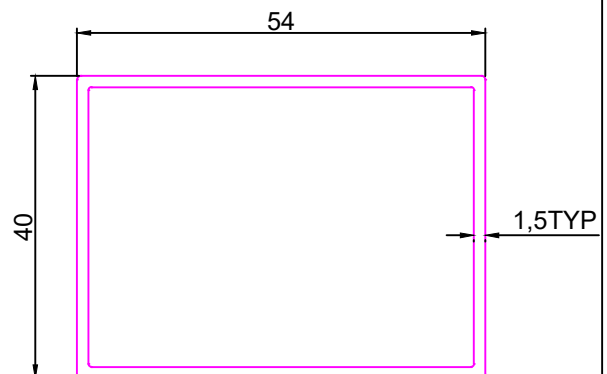
**SEC No.:- 8776**

**Weight:-20.200Kg/12'**



**SEC No.:- VA8794**

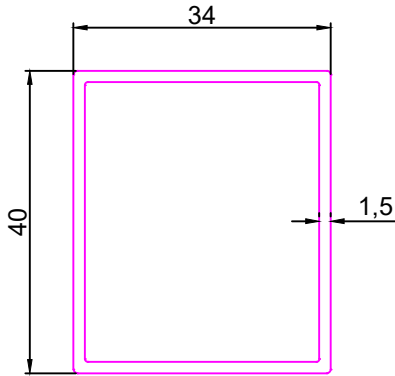
**Weight:-2.700Kg/12'**



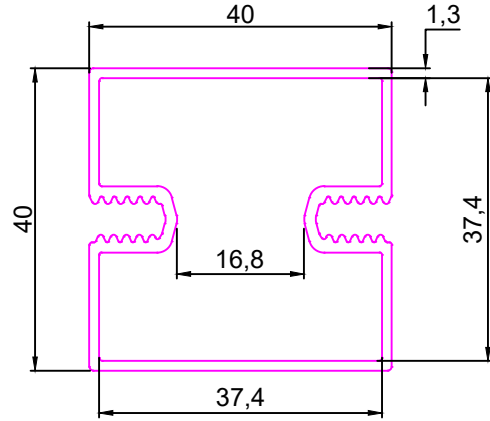


**RECTANGLE TUBE**

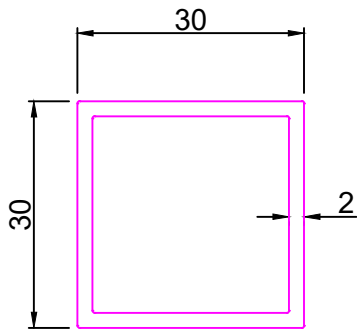
**SEC No.:- VA8795      Weight:-2.100Kg/12'**



**SEC No.:- VA8796      Weight:-2.700Kg/12'**



**SEC No.:-8813      Weight:-2.200Kg/12'**



**SEC No.:-8814      Weight:-4.000Kg/12'**

