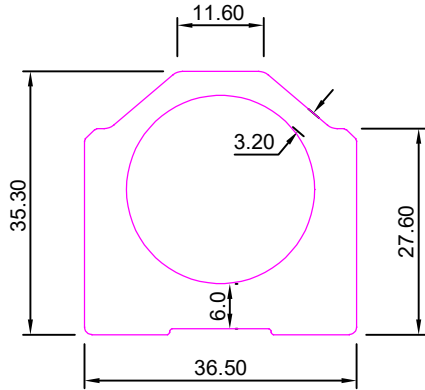




DOOR CLOSER

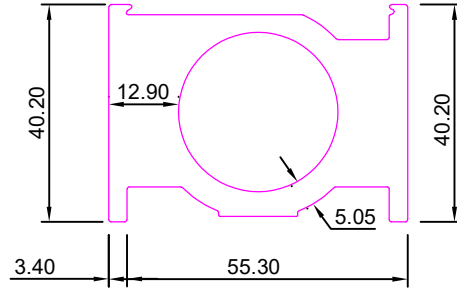
SEC No. 7159

Weight :-6.400kg/12'



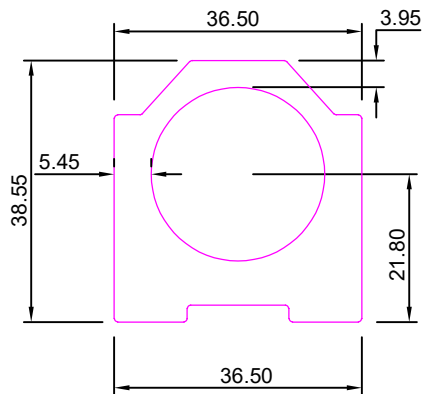
SEC No. 7177

Weight :-11.775kg/12'



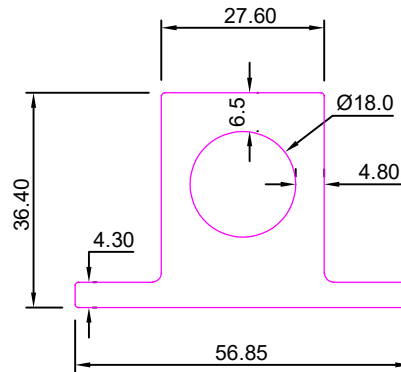
SEC No. 7178

Weight :-7.225kg/12'



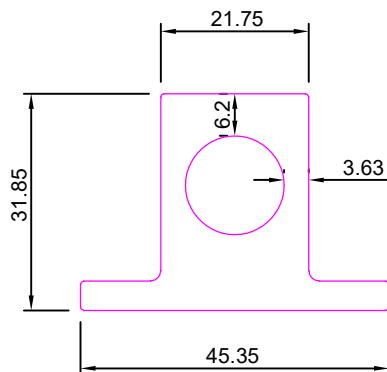
SEC No. 7216

Weight :-8.650kg/12'



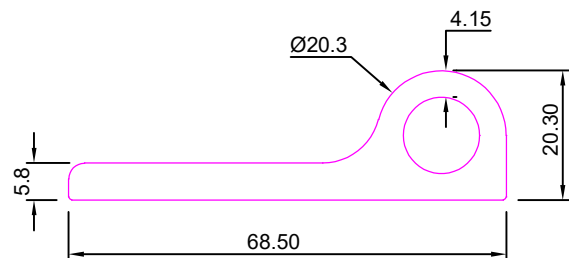
SEC No. 7217

Weight :-6.200kg/12'



SEC No. 7218

Weight :-5.400kg/12'

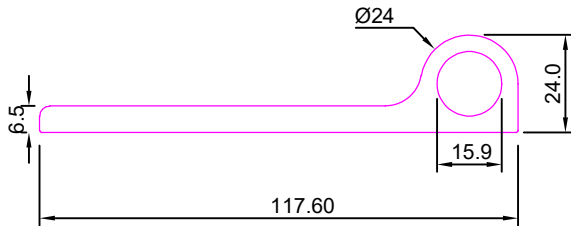




DOOR CLOSER

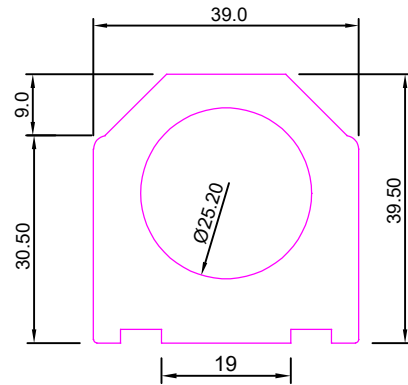
SEC No. 7219

Weight :-9.250kg/12'



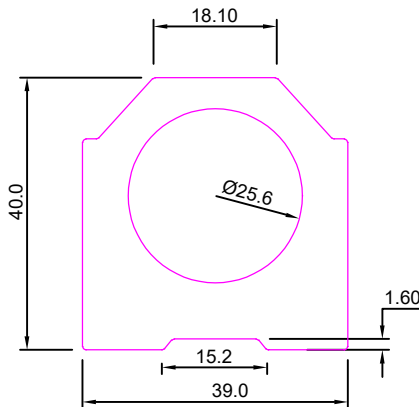
SEC No. 7221

Weight :-8.900kg/12'



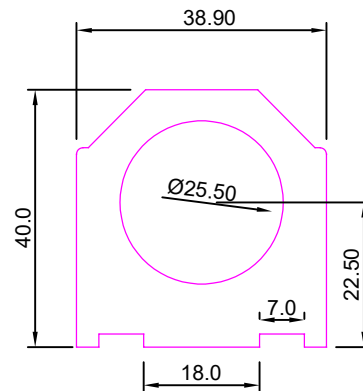
SEC No.7222

Weight :-8.950kg/12'



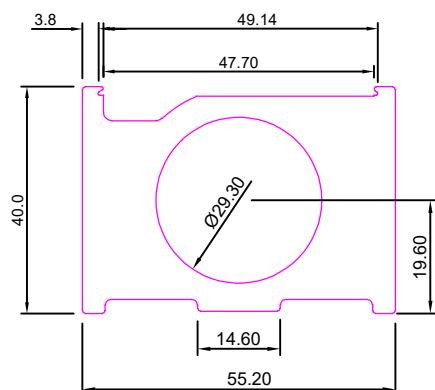
SEC No. 7223

Weight :-8.930kg/12'



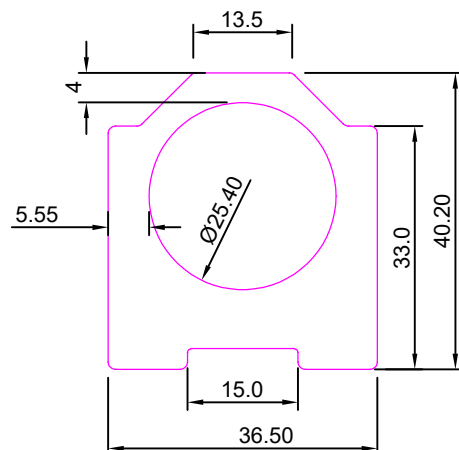
SEC No. 7224

Weight :-12.950kg/12'



SEC No. 7225

Weight :-7.900kg/12'

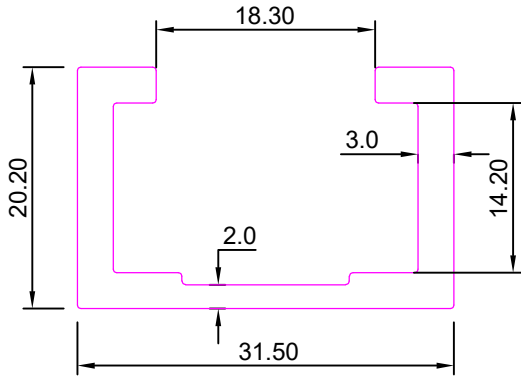




DOOR CLOSER

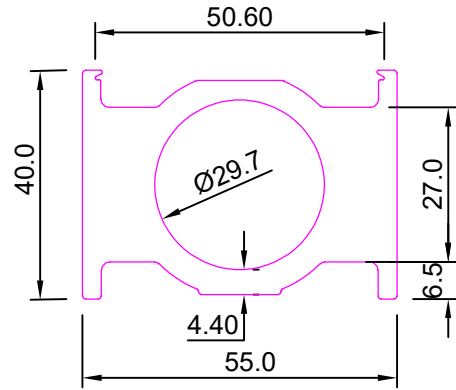
SEC No. 7227

Weight :-2.000kg/12'



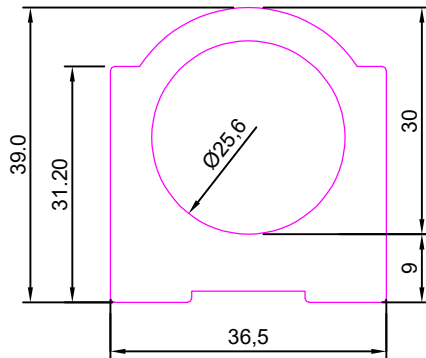
SEC No. 7344

Weight :-10.970kg/12'



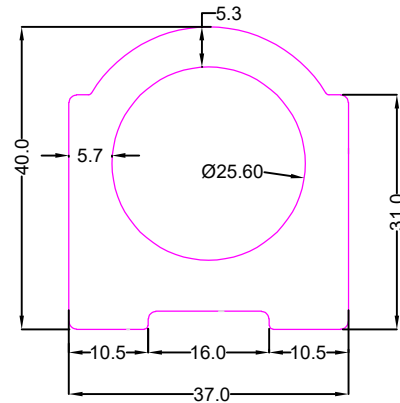
SEC No. 7345

Weight :-7.500kg/12'



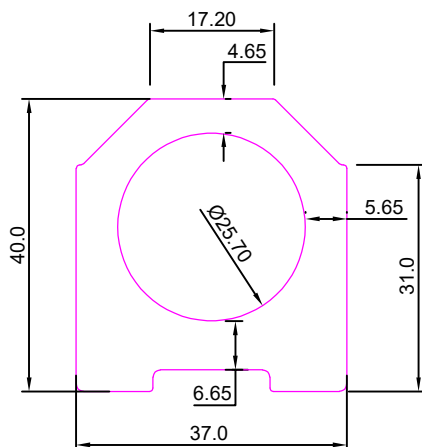
SEC No. 7347

Weight :-7.800kg/12'



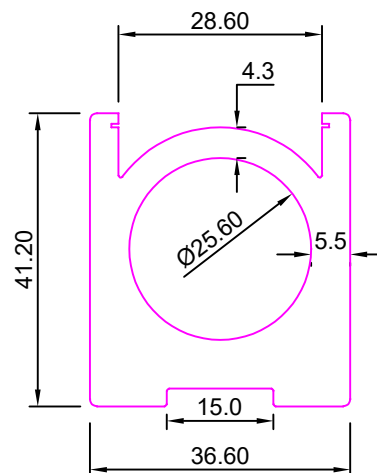
SEC No. 7348

Weight :-8.050kg/12'



SEC No. 7649

Weight :-8.200Kg/12'

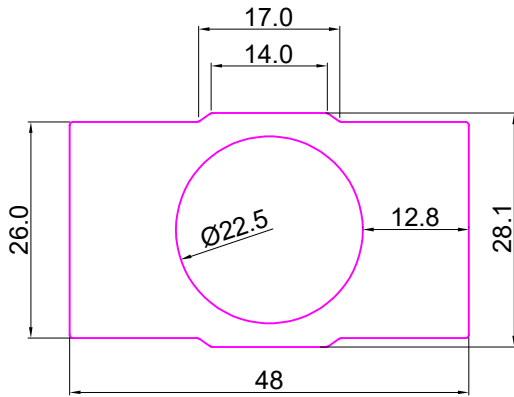




DOOR CLOSER

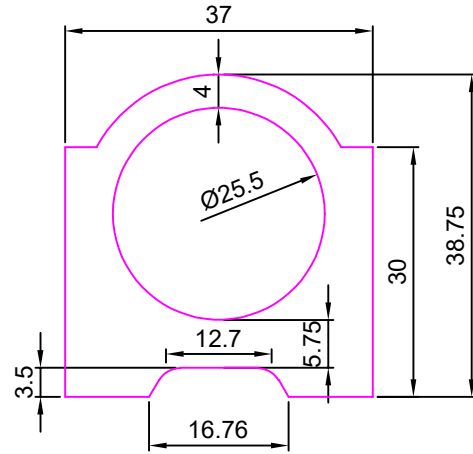
SEC No. 7759

Weight:-8.723Kg/12'



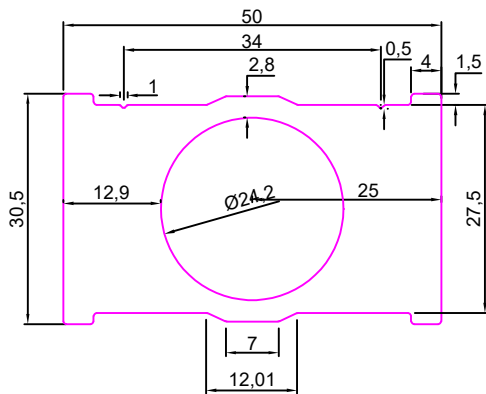
SEC No. 7851

Weight:-7.230Kg/12'



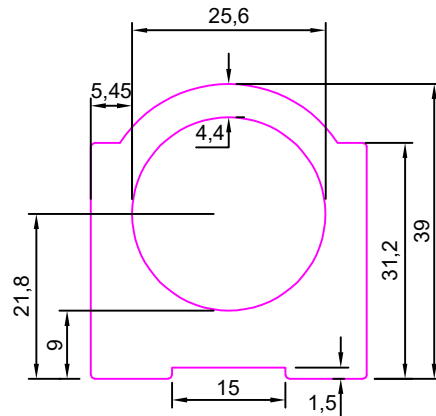
SEC No. 7938

Weight:9.489Kg/12'



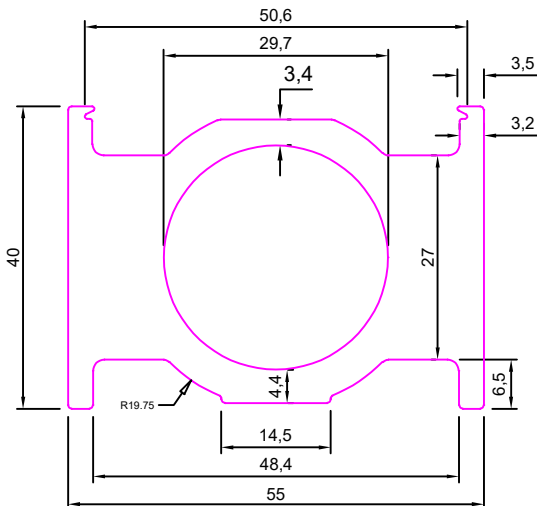
SEC No. 7939

Weight:7.500Kg/12'



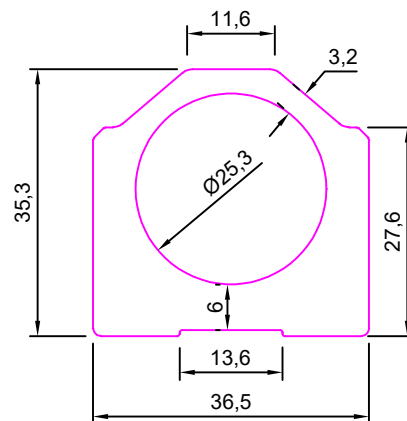
SEC No. 7940

Weight:10.970Kg/12'



SEC No.7941

Weight:6.430Kg/12'

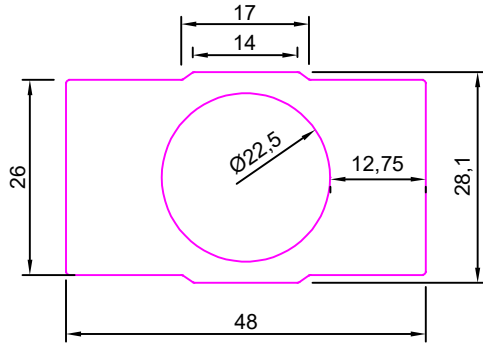




DOOR CLOSER

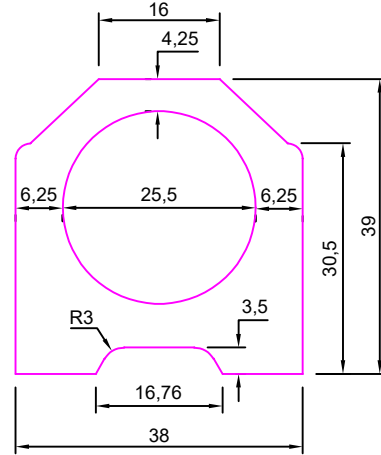
SEC No. 7942

Weight:8.723Kg/12'



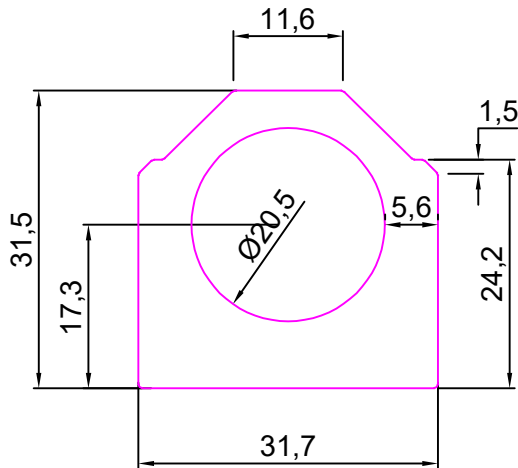
SEC No. 7945

Weight:-7.985Kg/12'



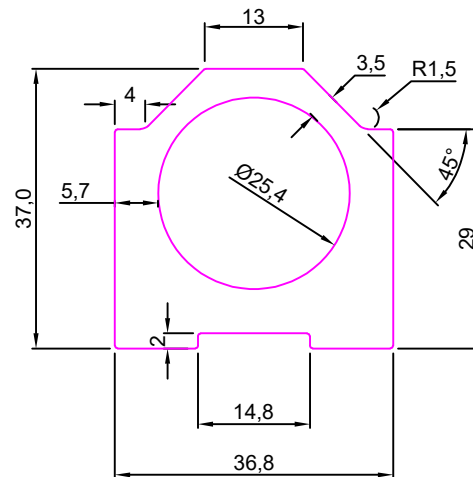
SEC No. 8155

Weight:-5.650Kg/12'



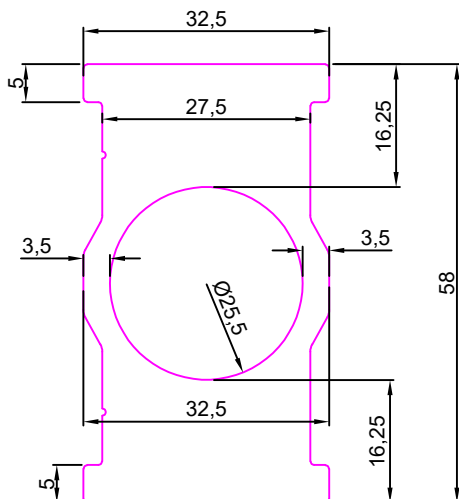
SEC No. 8204

Weight:-6.890Kg/12'



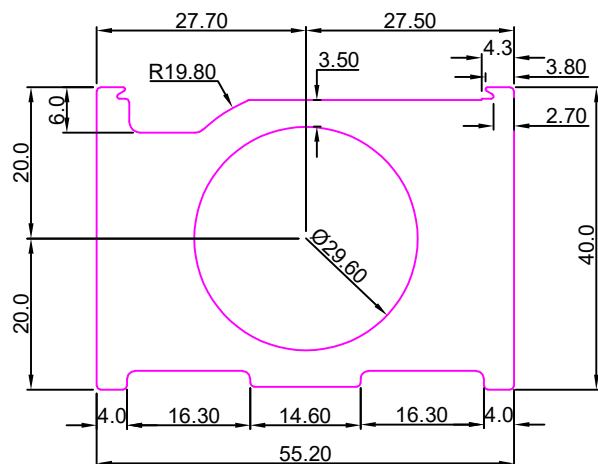
SEC No. 8211

Weight:-11.800Kg/12'



SEC No. 8212

Weight:-12.835Kg/12'

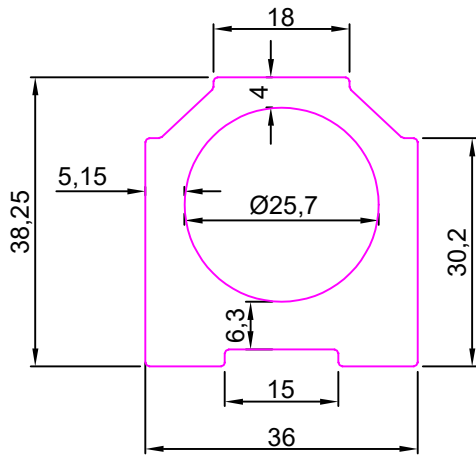




DOOR CLOSER

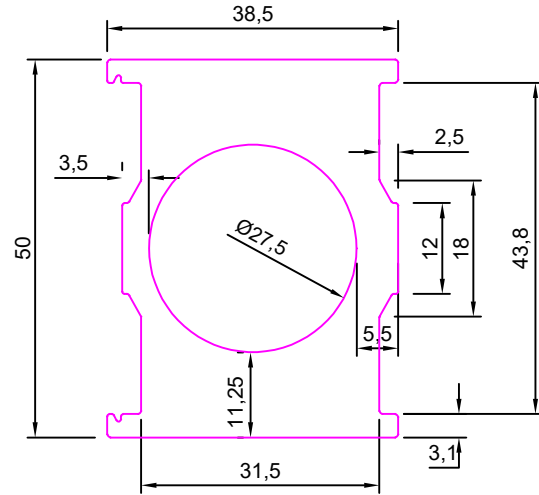
SEC No. 8295

Weight:-7.165Kg/12'



SEC No. 8372

Weight:-10.800Kg/12'



SEC No. 8373

Weight:-7.100Kg/12'

