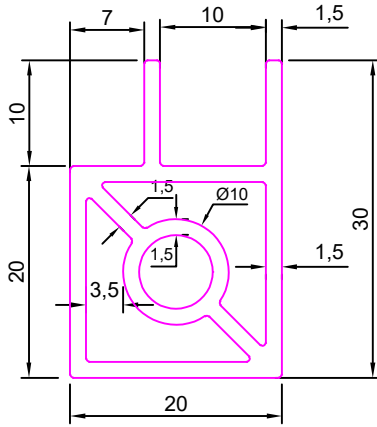




Cage- Profile

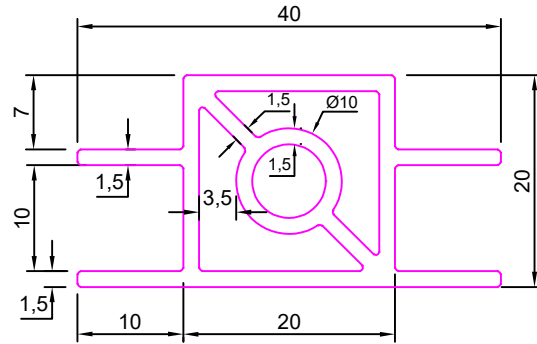
SEC No:- 8110

Weight:-1.990Kg/12'



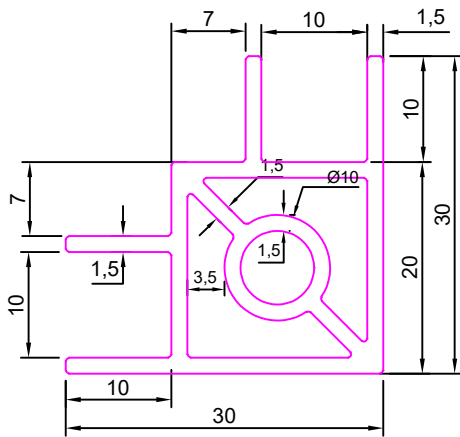
SEC No:- 8111

Weight:-2.285Kg/12'



SEC No:- 8112

Weight:-2.285Kg/12'



SEC No:- 8113

Weight:-1.555Kg/12'

